

WIRELESS GO™

COMPACT WIRELESS MICROPHONE SYSTEM

The Wireless GO™ is the world's smallest, most versatile wireless microphone system. The transmitter acts as both a clip-on mic or beltpack for a RØDE lavalier, sending crystal clear broadcast-grade audio via 2.4GHz digital to the on-camera receiver.

- Series III 2.4GHz digital transmission
- All-in-one microphone or lav beltpack
- Up to 7 hours battery life from full charge



ULTRA-COMPACT
WIRELESS



BUILT-IN
MICROPHONE



2.4
GHZ
DIGITAL
TRANSMISSION



ACOUSTIC & ELECTRICAL SPECIFICATIONS

Transmission Type:	2.4GHz Frequency Agile Digital System
Acoustic Principle:	Pre-polarised pressure transducer
Polar Pattern:	Omnidirectional
Equivalent Input Noise:	21.8dB (A-weighted)
Frequency Range:	50Hz - 20kHz
External Mic Input:	20Hz - 20kHz
Maximum Output Level:	+3dBu
Maximum SPL:	100dB SPL (1kHz @ 1m)
Dynamic Range:	100dBA (Mic Preamplifiers)
Power Requirements:	Inbuilt Li-po battery rechargeable via USB
Battery Life:	Up to 7 hours
Analog Inputs:	3.5mm TRS lavalier microphone input (transmitter)
Analog Outputs:	3.5mm TRS (receiver)
Computer Connectivity	USB
OS Requirements:	macOS 10.11 above Windows 10 and above



MECHANICAL SPECIFICATIONS

Weight (grams):	TX: 31	
	RX: 31	
Dimensions (millimetres):	TX	RX
	Length: 44	Length: 44
	Width: 45.3	Width: 46.4
	Height: 18.5	Height: 18.5
Compatible RØDE Accessories:	MagClip GO, Interview GO, DC-1, SC2, SC7, SC11, SC18, COLORS 3	
	1 x SC2	
Included Accessories:	1 x USB-C Cable	
	2 x Fur Windshield	
	1 x Pouch	

WHATS IN THE BOX



Receiver



Transmitter



SC2



USB-C Cable

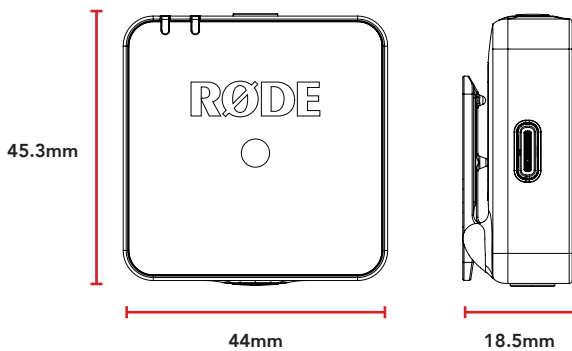
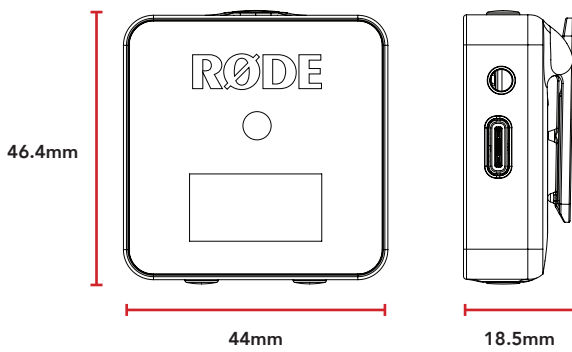


Fur Windshield

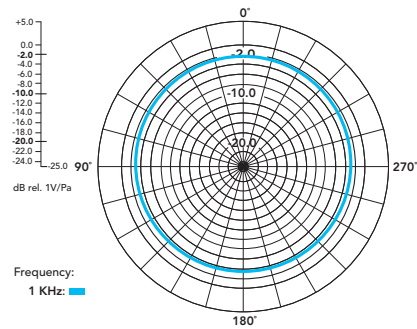


Pouch

DIMENSIONS



POLAR PATTERN



FREQUENCY RESPONSE

