

HS2

HEADSET MICROPHONE

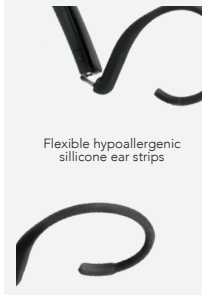
- Updated low-profile ergonomic design
- Ultra-Lightweight construction for complete comfort
- Adjustable corrosion resistant stainless spring steel boom arm and headband
- Flexible hypoallergenic silicone ear strips
- Durable ceramic painted finish available in black or pink
- Omni-directional polar pattern
- Low handling noise
- Includes Mini-furry and pop filter / windshield
- 1.2m Kevlar reinforced braid shielded cable
- Gold plated 3.5mm TRS output with removable locking nut



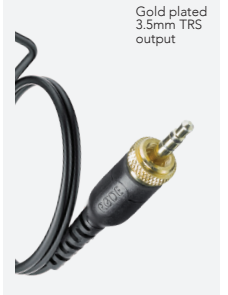
1.2m Kevlar reinforced braid shielded cable



Flexible hypoallergenic silicone ear strips



Gold plated 3.5mm TRS output



ACOUSTIC & ELECTRICAL SPECIFICATIONS

Acoustic Principle:	Permanente Polarised Condenser
Active Electronics:	JEFT
Polar Pattern:	Omni-directional
Output Impedance:	3K Ω Typical
Signal to Noise Ratio:	58 dBA
Equivalent Noise:	36 dB Typical
Clipping SPL:	122 dB
Maximum Output:	-189mV**
Sensitivity:	-47.2 dB re 1 V/Pa (21mV @ 94 dB SPL) \pm 3 dB @ 1 kHz
Dynamic Range:	86 dB Typical**
Power Requirements:	Plug in power - Min 2V ~ Max 5V through 3.5mm connector P48 through RØDE VXL R+ adaptor
Output Connection:	3.5mm TRS
Dimensions:	Overall Size: 205mm(L) x 124mm(W) x 50mm(H)
Weight:	20g


Pink


Black



WHAT'S IN THE BOX

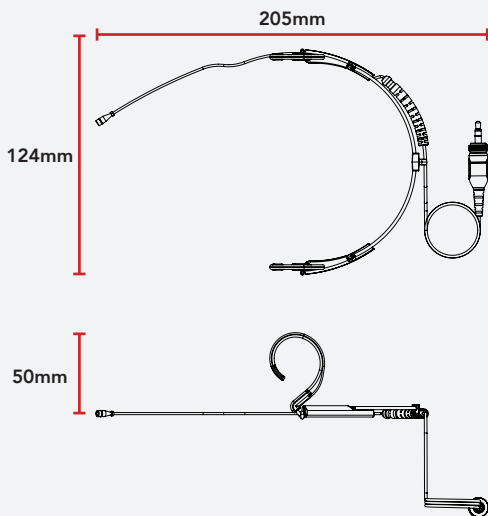


HS2

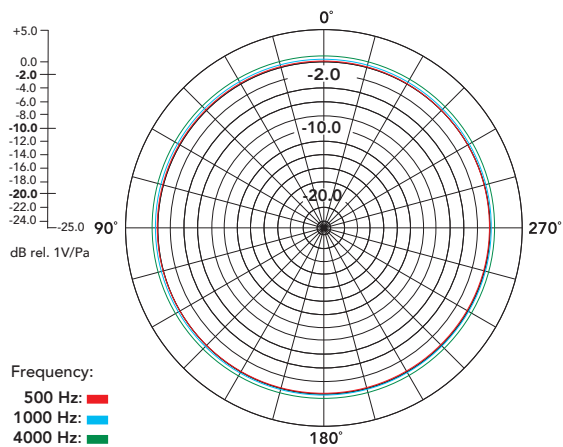


SC14

DIMENSIONS



POLAR PATTERN



FREQUENCY RESPONSE

