

VideoMicro™

COMPACT ON-CAMERA MICROPHONE



INTEGRATED RYCOTE®
LYRE® SHOCK MOUNT



COMPACT
DESIGN



NO BATTERY
REQUIRED



The VideoMicro is an ultra-compact microphone designed to significantly improve the audio quality of your videos. It features a high-quality cardioid condenser capsule, rugged aluminium construction, and durable black ceramic anti-glare coating, making it a great addition to any vlogging rig. The VideoMicro has no complicated switches or settings and is powered by your device's external microphone input, requiring no batteries to operate.

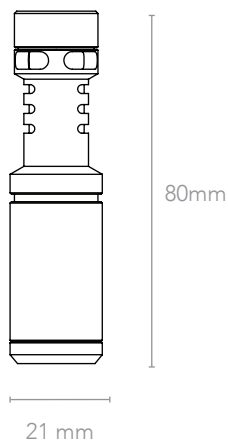
- Compact size and lightweight - only 80mm (3") long and 42gm (1.5oz)
- All-metal microphone body
- No battery required (powered by device plug-in power - min 2V)
- Rycote® Lyre® shock mount included
- Deluxe furry windshield included (WS9)



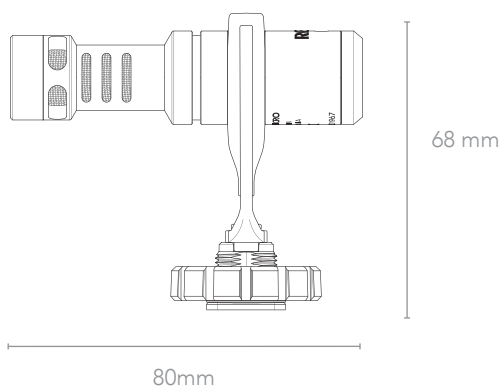
ACOUSTIC & ELECTRICAL SPECIFICATIONS

| | |
|---------------------------|---|
| Acoustic Principle: | Pressure gradient |
| Polar Pattern: | Cardioid |
| Frequency Range: | 100Hz - 20kHz |
| Signal to Noise Ratio: | 75 dB SPL |
| Equivalent Noise: | 20 dB SPL |
| Maximum SPL: | 140 dB SPL (1 kHz @ 1m) |
| Sensitivity: | -33dB re 1V/Pa (22mV @ 94dB SPL) ± 2dB @ 1kHz |
| Dynamic Range: | 120dB SPL |
| Power Requirement: | Plug-in power required (2V-5V DC) |
| Microphone Output: | 3.5mm TRS- mini-jack (dual mono) |
| Material: | Aluminium |
| Colour: | Black |
| Weight (grams): | 42 |
| Dimensions (millimetres): | Length: 80 Height: 68 Depth: 21 |

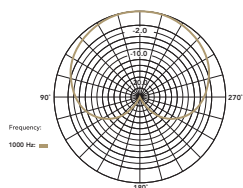
Top view



Side view



POLAR PATTERN



FREQUENCY RESPONSE

