

PODMICUSB

QUICK START GUIDE

Panduan Memulai Cepat

RØDE

1. Pasang PodMic USB Anda pada statif atau lengan boom.
2. Gunakan output XLR untuk menghubungkan ke antarmuka audio atau mixer.

ATAU

Gunakan output USB-C untuk menghubungkan ke komputer, tablet, atau ponsel Anda, dan output headphone 3.5mm untuk pemantauan.

3. Masukkan filter pop ke mikrofon untuk perlindungan tambahan dari plosif.

Unduh RØDE Central untuk menerapkan pemrosesan pada audio USB dan memperbarui firmware Anda di rode.com/apps/rode-central.

NORTH AMERICA

This device complies with Part 15 of the FCC Rules. Operation is subject to the following two conditions: (1) this device may not cause harmful interference, and (2) this device must accept any interference received, including interference that may cause undesired operation.

Please note that changes or modifications of this product is not expressly approved by the party responsible for compliance could void the user's authority to operate the equipment.

NOTE: This equipment has been tested and

found to comply with the limits for a Class B digital device, pursuant to Part 15 of the FCC Rules. These limits are designed to provide reasonable protection against harmful interference in a residential installation. This equipment generates, uses and can radiate radio frequency energy and, if not installed and used in accordance with the instructions, may cause harmful interference to radio communications. However, there is no guarantee that interference will not occur in a particular installation.

If this equipment does cause harmful interference to radio or television reception, which can be determined by turning the equipment off and on, the user is encouraged to try to correct the interference by one or more of the following measures:

- Reorient or relocate the receiving antenna
- Increase the separation between the equipment and receiver
- Connect the equipment into an outlet on a circuit different from that to which the receiver is connected
- Consult the dealer or an experienced radio/TV technician for help

CAN ICES-3 (B) / NMB-3 (B)

USA
FC

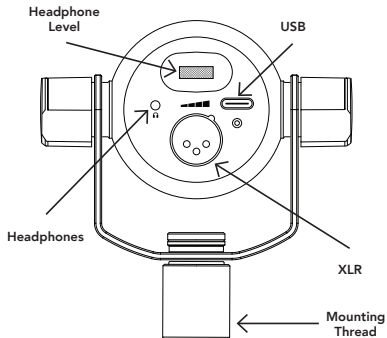
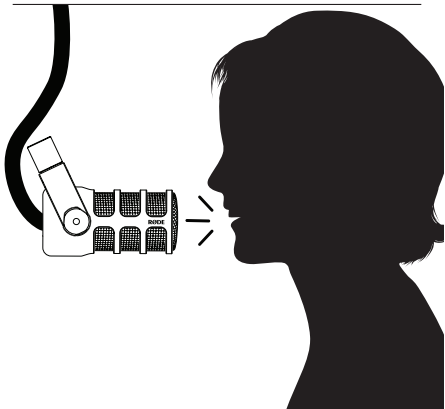
SOUTH KOREA



ID: R-R-R72-PodMic-USB
Company Name: RØDE Microphones
Model: PodMic USB
Country of Origin: Australia

POWER

48Vdc, 0.1A or 5Vdc, 0.5A



To prevent possible hearing damage, do not listen at high volume levels for long periods.



FR

Cet appareil
se recycle

À DÉPOSER
EN MAGASIN



OU

À DÉPOSER
EN DÉCHÈTERIE



Points de collecte sur www.quefairedemesdechets.fr
Privilégiez la réparation ou le don de votre appareil !



FR

EMBALLAGES CARTON ET
GUIDE DE SECURITE A
RECYCLER



SCAN FOR MORE INFO



View the user guide to learn more

Lihat panduan pengguna untuk
mempelajari lebih lanjut

RØDE Microphones:

107 Carnarvon St, Silverwater NSW 2128, Australia

Authorised UK Representative:

RØDE UK, Unit A, 23-25 Sunbeam Rd, London
NW10 6JP, United Kingdom

Authorised EU Representative:

RØDE EU, Neukirchner Str. 18, 65510 Hünstetten,
Germany



rode.com

0927-0827-02-07