

**NT1** 5TH  
GENERATION

**QUICK  
START  
GUIDE**

Panduan Memulai Cepat

**RØDE**

1. Untuk memasang filter pop ke shock mount, pasang dengan memutar pada benang pemasangan dengan bracket berbentuk 'L' hingga terpasang dengan aman.
2. Tempatkan NT1 5th Generation di dalam shock mount dan putar mikrofon searah jarum jam untuk memasangnya dengan longgar ke dasar mount.
3. Sesuaikan orientasi mikrofon sehingga titik emas menghadap filter pop, lalu perketat cincin di bawah mount sambil memegang mikrofon untuk mengamankannya.
4. Sesuaikan tinggi, kemiringan, dan putaran filter pop sesuai selera.
5. Pasang benang pemasangan lainnya ke lengan studio, statif mikrofon, atau mount serupa.

Untuk menggunakan koneksi analog XLR:

1. Hubungkan satu ujung kabel XLR yang disertakan ke bagian bawah NT1 5th Generation dan ujung lainnya ke antarmuka, mixer, atau perangkat serupa.
2. Aktifkan daya fantom 48V (P48) pada perangkat Anda.
3. Mulai merekam!

Untuk menggunakan koneksi digital USB-C:

1. Hubungkan satu ujung kabel USB yang disertakan ke bagian bawah NT1 5th Generation dan ujung lainnya ke komputer Anda.

2. Pilih NT1 5th Generation sebagai perangkat masukan dalam perangkat lunak perekaman dan pengaturan komputer Anda.
3. Untuk memanfaatkan perekaman 32-bit float dan laju sampel resolusi tinggi, lihat panduan pengguna untuk informasi lebih lanjut.

Unduh RØDE Central untuk mengaktifkan pemrosesan granular tingkat lanjut dan memperbarui firmware Anda di [rode.com/apps/rode-central](https://rode.com/apps/rode-central).

### North America

This device complies with Part 15 of the FCC Rules. Operation is subject to the following two conditions: (1) this device may not cause harmful interference, and (2) this device must accept any interference received, including interference that may cause undesired operation.

Please note that changes or modifications of this product is not expressly approved by the party responsible for compliance could void the user's authority to operate the equipment.

NOTE: This equipment has been tested and found to comply with the limits for a Class B digital device, pursuant to Part 15 of the FCC Rules. These limits are designed to

provide reasonable protection against harmful interference in a residential installation. This equipment generates, uses and can radiate radio frequency energy and, if not installed and used in accordance with the instructions, may cause harmful interference to radio communications. However, there is no guarantee that interference will not occur in a particular installation.

If this equipment does cause harmful interference to radio or television reception, which can be determined by turning the equipment off and on, the user is encouraged to try to correct the interference by one or more of the following measures:

- Reorient or relocate the receiving antenna.
- Increase the separation between the equipment and receiver.
- Connect the equipment into an outlet on a circuit different from that to which the receiver is connected.
- Consult the dealer or an experienced radio/TV technician for help.

CAN ICES-3 (B) / NMB-3 (B)

---

**USA**



---

**SOUTH KOREA**



ID: R-R-R72-NT1-5G  
Company Name: RØDE Microphones  
Model: NT1 5th Generation Black  
NT1 5th Generation Silver  
Country of Origin: Australia

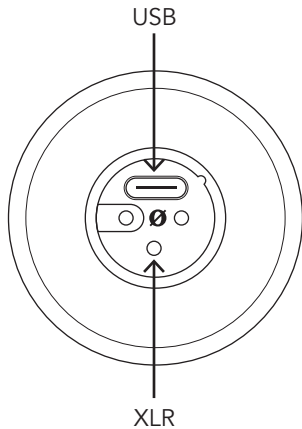
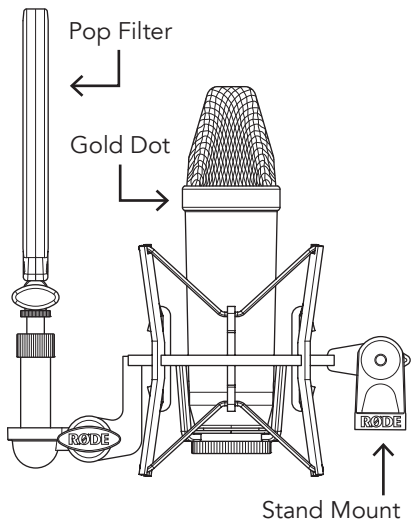
---

**POWER**

48Vdc, 0.5A or 5Vdc, 0.5A



To prevent possible hearing damage, do not listen at high volume levels for long periods.





FR

Cet appareil  
se recycle

À DÉPOSER  
EN MAGASIN



OU

À DÉPOSER  
EN DÉCHÈTERIE



Points de collecte sur [www.quefairedemesdechets.fr](http://www.quefairedemesdechets.fr)  
Privilégiez la réparation ou le don de votre appareil !



FR

EMBALLAGES CARTON ET  
GUIDE DE SECURITE A  
RECYCLER



SCAN FOR MORE INFO



View the user guide to learn more

Lihat panduan pengguna untuk  
mempelajari lebih lanjut

**RØDE Microphones:**

107 Carnarvon St, Silverwater NSW 2128, Australia

**Authorised UK Representative:**

RØDE UK, Unit A, 23-25 Sunbeam Rd, London  
NW10 6JP, United Kingdom

**Authorised EU Representative:**

RØDE EU, Neukirchner Str. 18, 65510 Hünstetten,  
Germany



[rode.com](http://rode.com)

0927-0836-02-04